

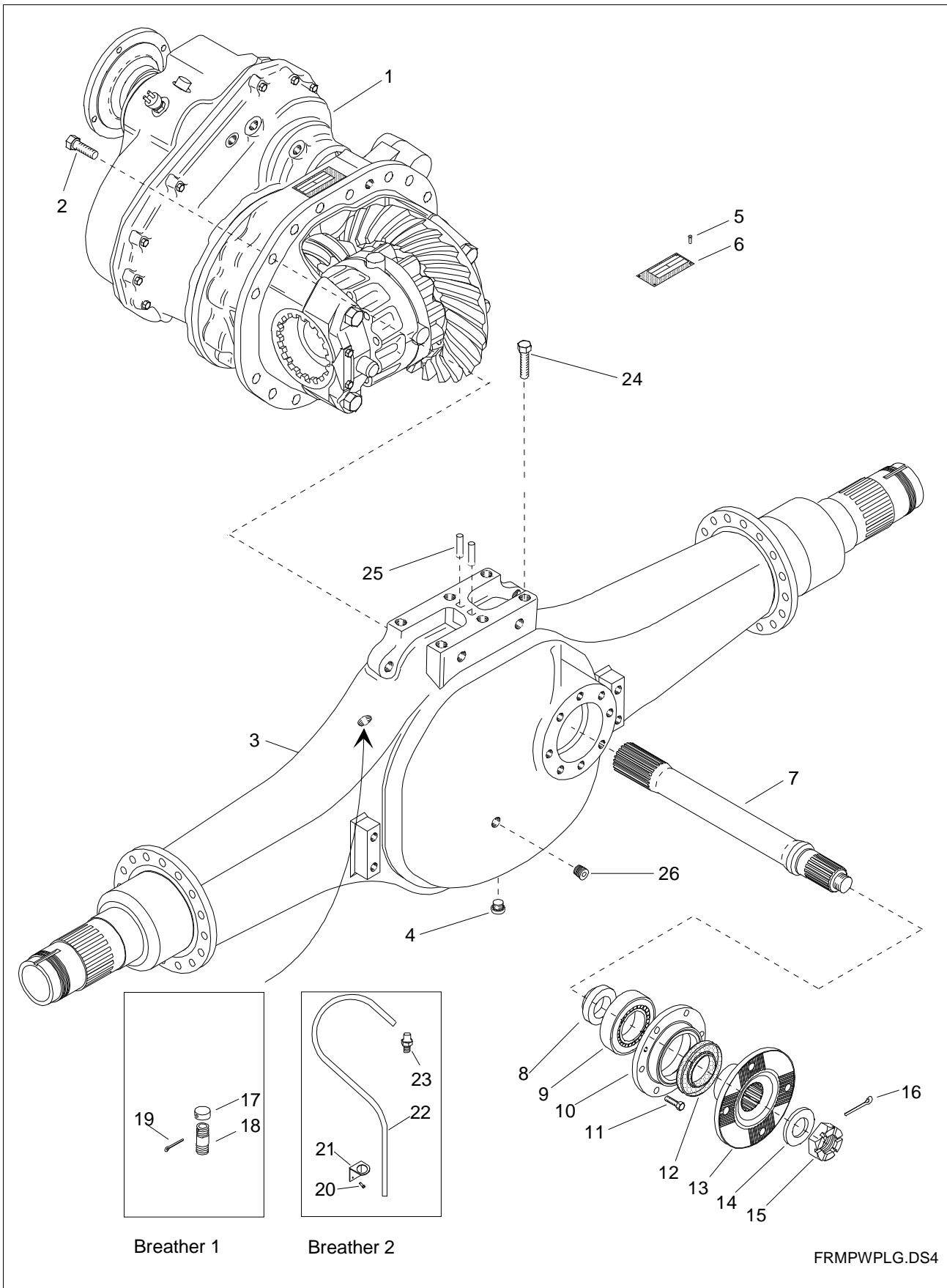
# **SISU AXLES**

## **SPARE PARTS BOOK**

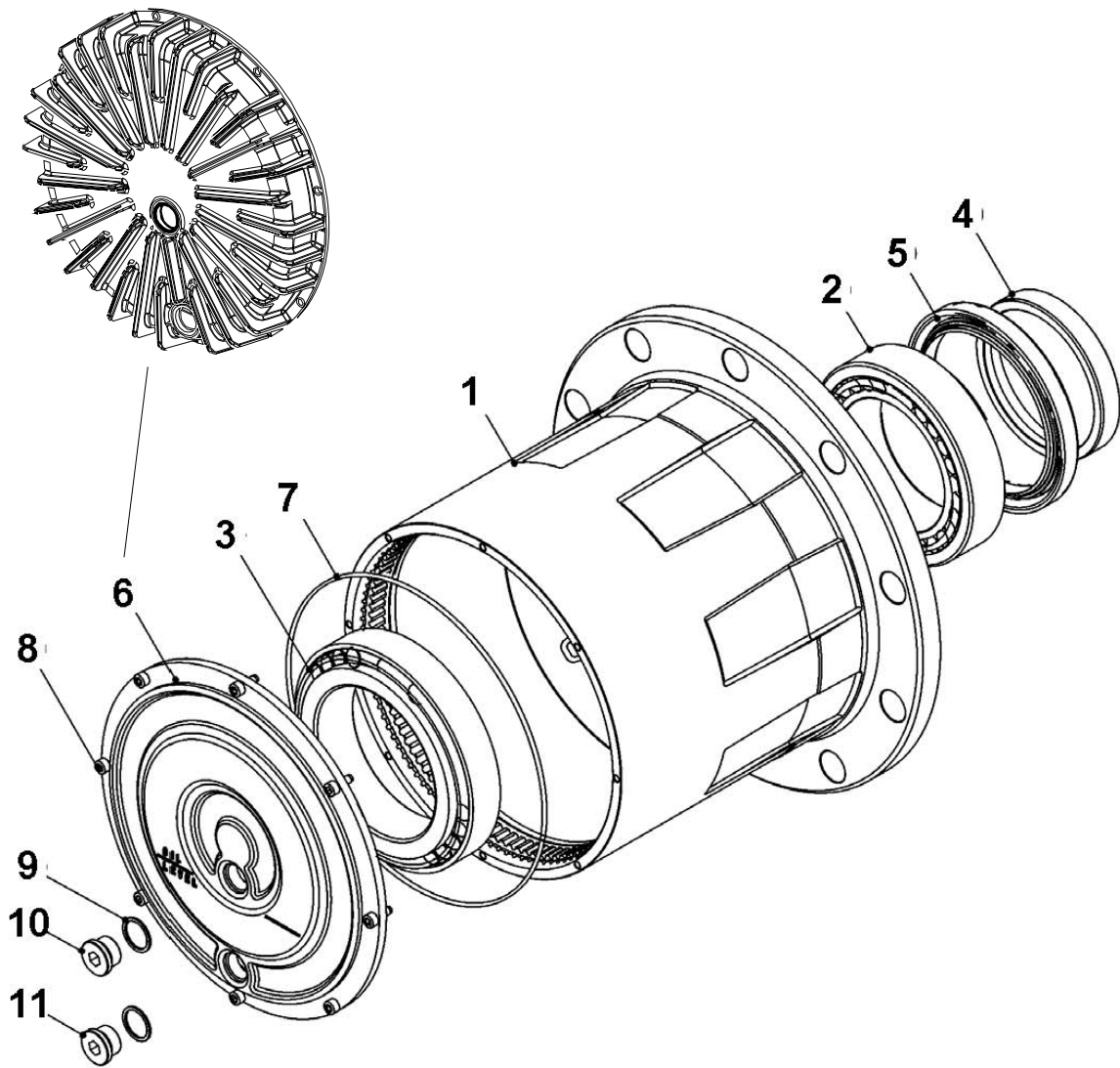
**Tridem Axle  
FRFP-13/16-S**

**Since No. 144393 (11/2004)  
Book No. 314 (5/2009)**

*Sisu Axles, Inc.*  
Autotehtaan tie 1  
PO Box 189  
FIN-13101 Hämeenlinna  
Finland  
Phone +358 204 55 2999  
Fax +358 204 55 2900

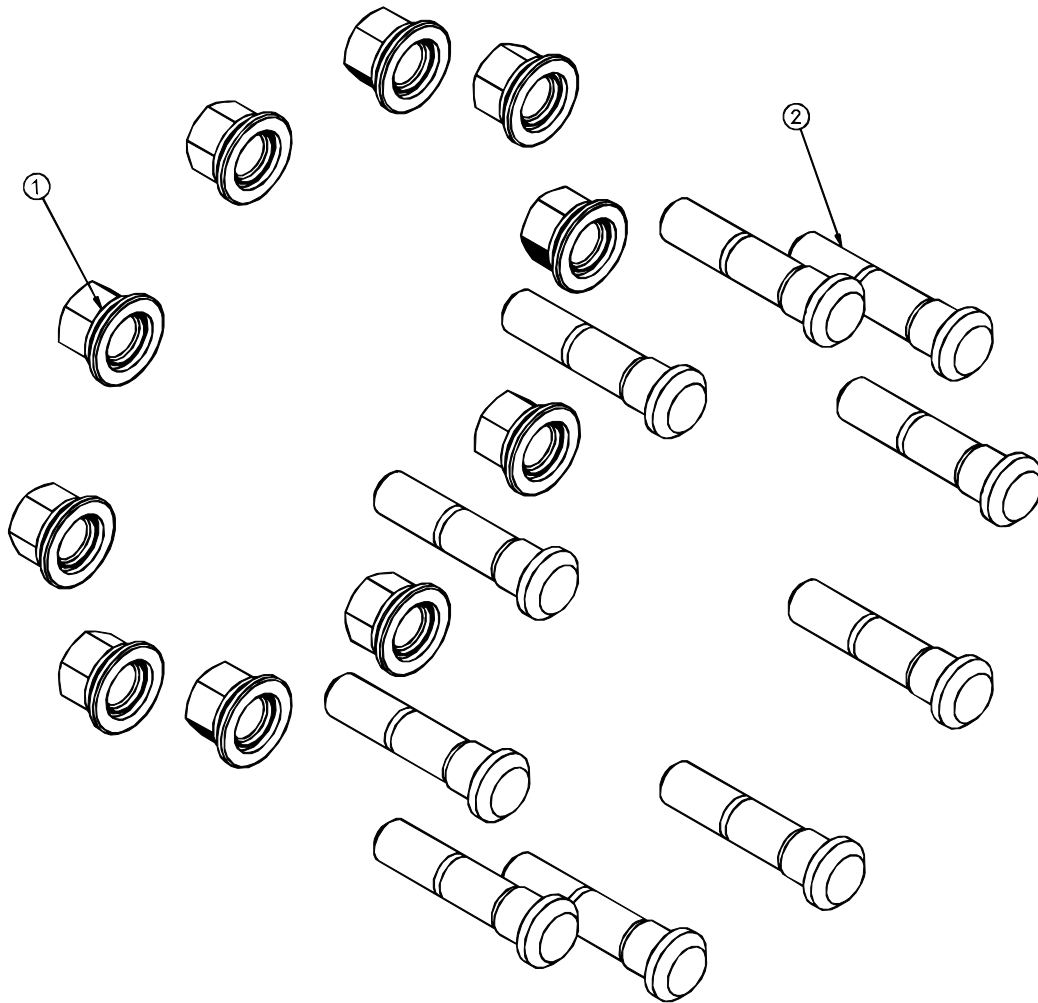


Item	Qty.	Order no.	Description	Note
1	1	<b>544-206-5811</b>	Diff. Carrier Assembly	FR 4.11/4.65, HS1700/1800 flange
1	1	<b>544-206-5821</b>	Diff. Carrier Assembly	FR 5.56/4.92, HS1700/1800 flange
1	1	<b>544-206-5829</b>	Diff. Carrier Assembly	FR 6.36/5.63, HS1700/1800 flange
1	1	<b>544-206-5851</b>	Diff. Carrier Assembly	FR 8.79/7.77, HS1700/1800 flange
1	1	<b>544-207-4819</b>	Diff. Carrier Assembly	FR 7.01/6.20, Pressure lubr, HS1700/1800 flange
2	16	<b>90303-16407</b>	Hex Screw	M16x40, 10.9
3	NLA	<b>543-117-0700</b>	Axle Housing	Track 1880, 13 ton, superseded by 543-117-2100
3	NLA	<b>543-117-0800</b>	Axle Housing	Track 2040, 16 ton, superseded by 543-117-1500
3	NLA	<b>543-117-0900</b>	Axle Housing	Track 1880 mm, 16 ton, superseded by 543-117-2100
3	1	<b>543-117-1000</b>	Axle Housing	Track 1800, 16 ton
3	NLA	<b>543-117-1100</b>	Axle Housing	2040, 16 ton, R650, superseded by 543-117-3800
3	1	<b>543-117-1500</b>	Axle Housing	16 ton, Track 2040, 18 mm
3	1	<b>543-117-2100</b>	Axle Housing	16 ton, Track 1880, 18 mm
3	NLA	<b>543-117-2200</b>	Axle Housing	1880, 16 ton, R650, supeseded by 543-117-3700
3	NLA	<b>543-117-2600</b>	Axle Housing	16 ton, 2040, R850, supeseded by 543-117-3900
3	1	<b>543-117-3700</b>	Axle Housing	16 ton, Track 1880, R650, 18 mm
3	1	<b>543-117-3800</b>	Axle Housing	16 ton, Track 2040, R650, 18 mm
3	1	<b>543-117-3900</b>	Axle Housing	16 ton, Track 2040, R850, 18 mm
3	1	<b>543-117-4300</b>	Axle Housing	16 ton, Track 1800, R650, 18 mm
3		<b>N1</b>	Note	Bulletin P16003 for compatibility of axle housings
4	1	<b>90873-22109</b>	Oil plug	M22x1.5, Allen head
4	1	<b>91201-22150</b>	Seal ring	D22/27x1.5 Cu
5	4	<b>90111-29054</b>	Rivet	D2.9x5
6	1	<b>591600-20823</b>	Name plate	
7	1	<b>544-251-3610</b>	Output Shaft	Splines W65x24
8	0	<b>0</b>		Not installed
9	1	<b>91734-40651</b>	Deep groove ball bearing	
10	1	<b>544-321-0500</b>	Seal housing	
11	8	<b>90303-10303</b>	Hex Screw	M10x30
12	1	<b>591122-08507</b>	Shaft seal	Cassette seal D85/120x9/20
13	1	<b>538-918-0710</b>	Output flange	HS 1700/1800
13	1	<b>538-967-0310</b>	End Yoke	Output Splined Yoke 1710, spline N65, Z=24
14	1	<b>90705-43069</b>	washer	D43/80x6
15	1	<b>90546-42653</b>	Nut	M42x1.5
16	1	<b>90621-63633</b>	Split pin	6.3x63
17	1	<b>179-842-0000</b>	Breather Cover	
18	1	<b>179-841-1000</b>	Breather pipe	
19	1	<b>90621-32253</b>	Split pin	3.2x25
20	2	<b>90111-29054</b>	Rivet	D2.9x5
21	1	<b>143-227-0800</b>	Mounting Plate	
22		<b>95242-06010</b>	Plastic Pipe	Ø9.5/15.5 L=350
23	1	<b>592422-01603</b>	Hose clamp	
23	1	<b>91978-30901</b>	Binding screw	R3/8"/D10
24	2	<b>590311-18508</b>	Allen Screw	M18x50
24	4	<b>90303-18503</b>	Hex Screw	M18x50
25	2	<b>90602-14323</b>	Spring cotter	D14x32
26	1	<b>90875-16243</b>	Plug	1/2"NPT



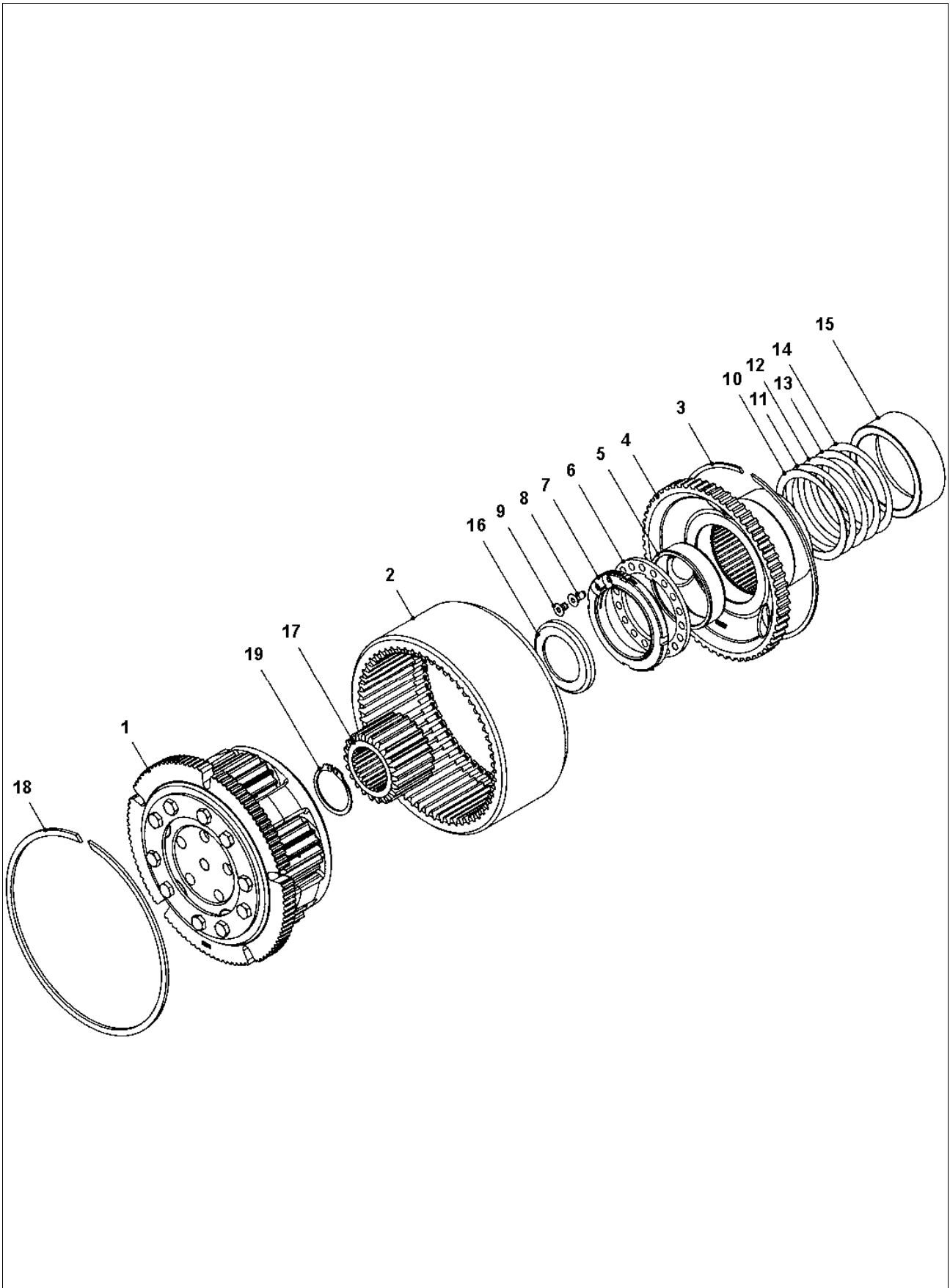
M4018593

Item	Qty.	Order no.	Description	Note
1	2	<b>543-441-1000</b>	Wheel hub	
2	2	<b>91744-01051</b>	T. Roller bearing	
3	2	<b>91744-01201</b>	T. Roller bearing	
4	2	<b>543-415-0600</b>	Spacer ring	D111/127x19
5	2	<b>591122-12702</b>	Shaft seal	D127/160
6	2	<b>541-422-1200</b>	Planetary gear cover	Cast iron
6	2	<b>541-422-1300</b>	Planetary gear cover	Cooled, cast iron, optional
7	2	<b>91109-50030</b>	O-ring	D249.5x3
8	16	<b>90313-06168</b>	Allen Screw	M6x16
9	4	<b>91201-22150</b>	Seal ring	D22/27x1.5 Cu
10	2	<b>90873-22103</b>	Plug	M22x1.5 - DIN908, Allen head
11	2	<b>90873-22109</b>	Oil plug	M22x1.5 - DIN908, Allen head, magnetic



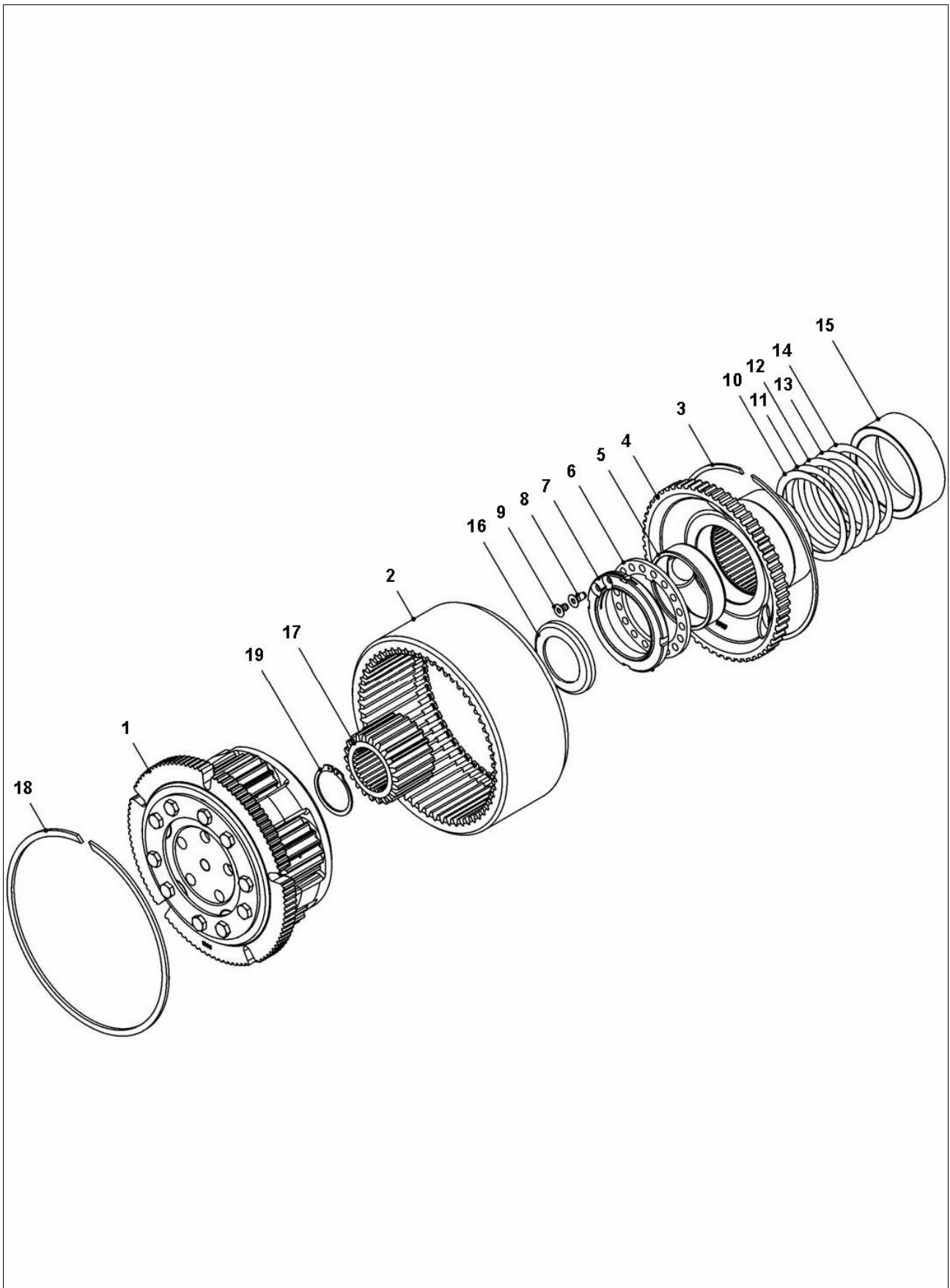
M402-036.DS4

Item	Qty.	Order no.	Description	Note
1	20	<b>540-916-1610</b>	Wheel nut	M22x1.5
2	20	<b>140-911-2700</b>	Wheel bolt	L=113 mm
3	20	<b>140-911-2510</b>	Wheel bolt	L=93 mm
3	20	<b>140-911-2610</b>	Wheel bolt	L=83 mm, 12.9

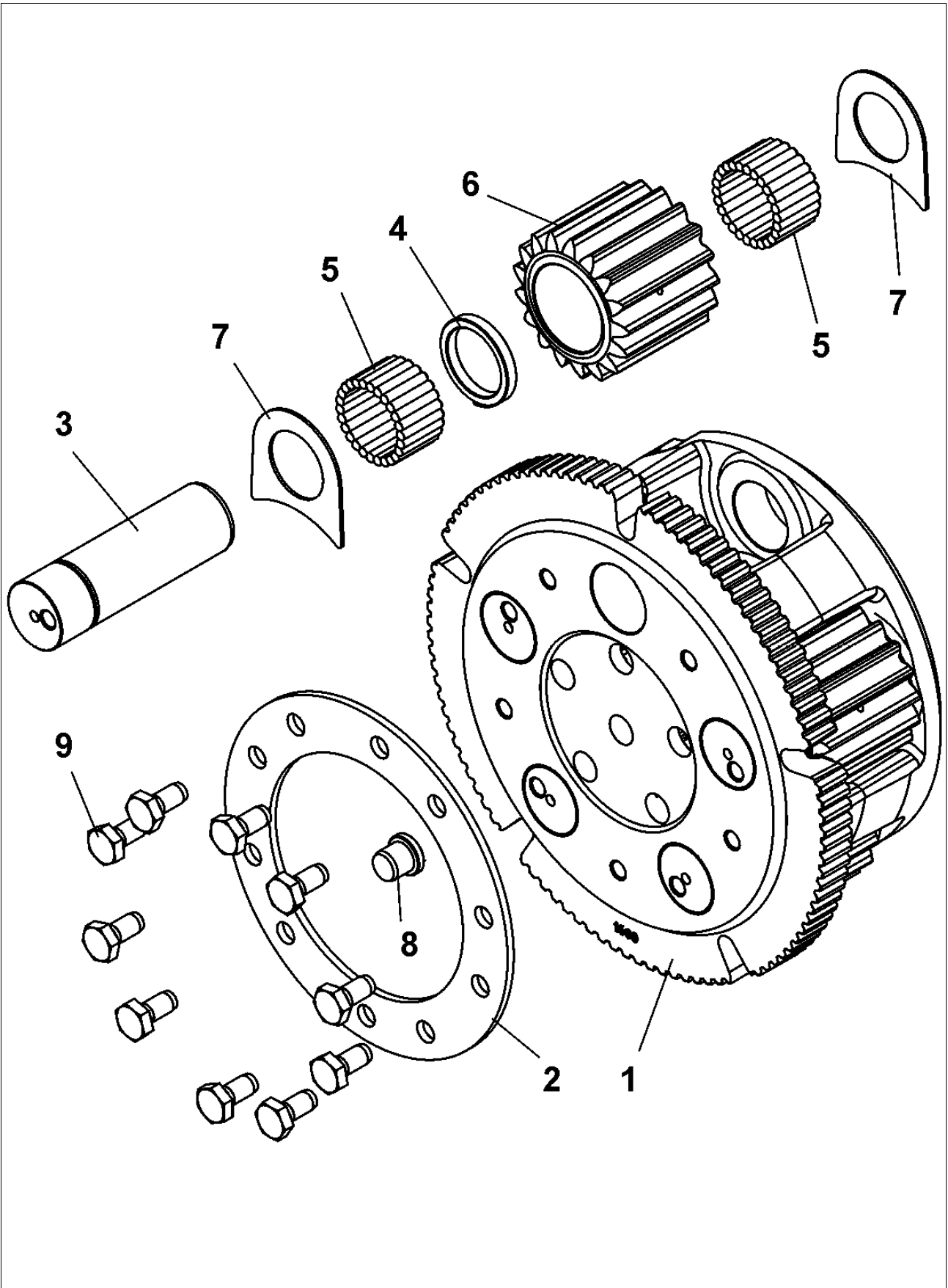




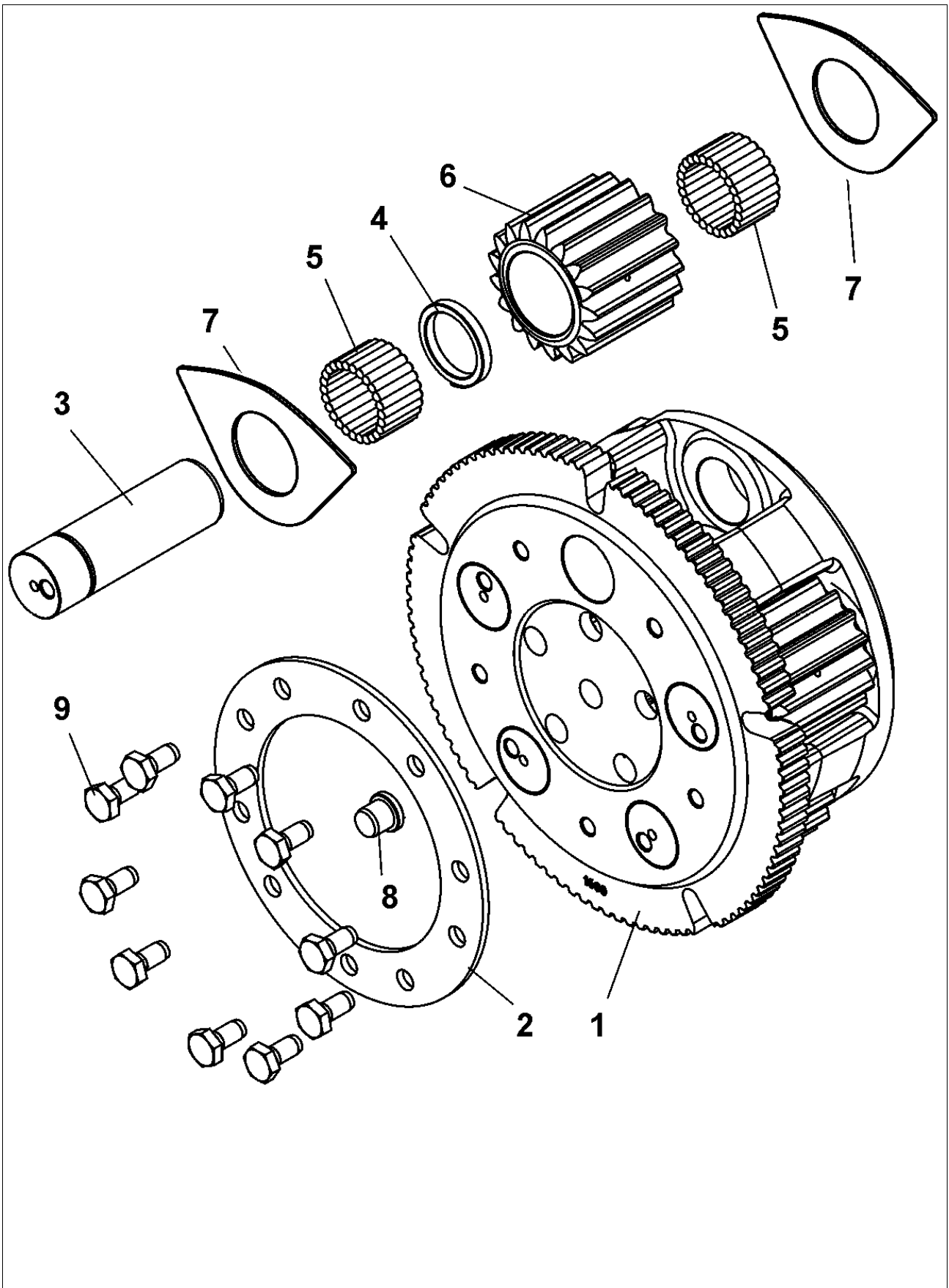
Item	Qty.	Order no.	Description	Note
1	2	<b>541-404-0211</b>	Planetary gear	FR 4.28/4.29/4.65/5.56/6.36/7.01/8.79/10.55
2	2	<b>535-261-2110</b>	Ring gear	i=3.636, z58
3	2	<b>91720-22001</b>	Retainer ring	D220x3
4	2	<b>535-271-0901</b>	Ring gear hub	i=3.636, z58
5	N/A	<b>543-416-0710</b>	Spacer ring	Obsolete
6	2	<b>143-418-0510</b>	Lock plate	S=6 mm, punched
7	2	<b>599-290-8004</b>	Lock Nut	M90x2, s=16 mm
8	2	<b>590319-08186</b>	Allen Screw	M8x18, Cone head
9	2	<b>590319-08126</b>	Allen Screw	M8x12M8x12, Cone head
10	NLA	<b>590731-09510</b>	Shim	s= 0.1 mm
10	NLA	<b>590731-09515</b>	Shim	s= 0.15 mm
11	ar	<b>590731-09520</b>	Shim	s= 0.2 mm
12	ar	<b>590731-09530</b>	Shim	s= 0.3 mm
13	ar	<b>590731-09550</b>	Shim	s= 0.5 mm
14	ar	<b>590732-09510</b>	Shim	s= 1.0 mm
15	2	<b>543-416-0500</b>	Spacer ring	D95/117x42
16	2	<b>090-721-8500</b>	Protective cup	D60/85x10
17	2	<b>535-211-1410</b>	Sun gear	i=3.636, z22, spline N55x26
18	2	<b>91720-26001</b>	Retainer ring	D265x4.2
19	2	<b>591711-05500</b>	Retainer ring	D55x2



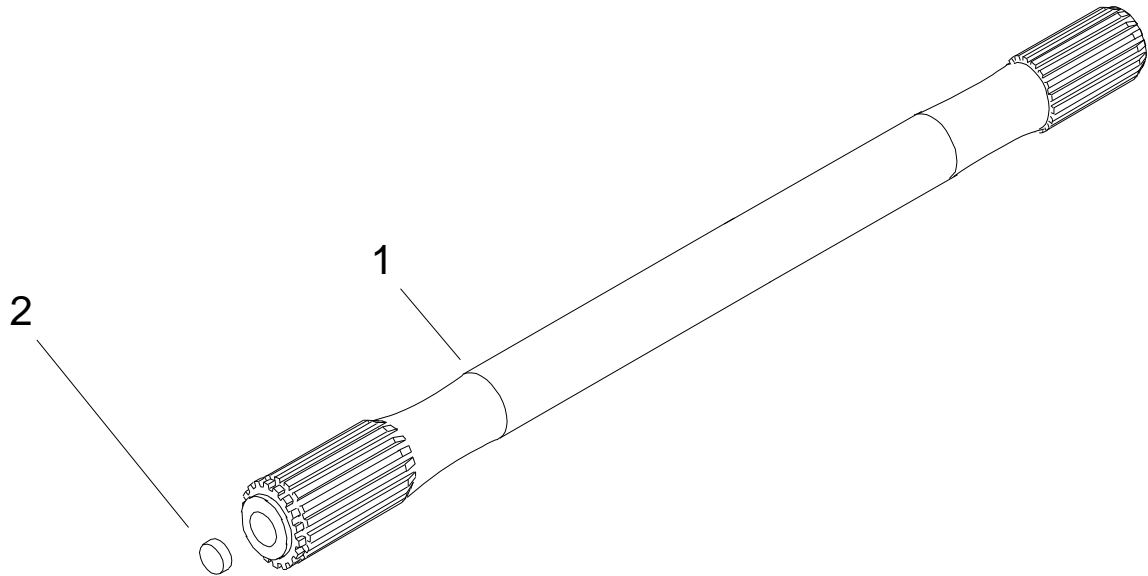
Item	Qty.	Order no.	Description	Note
1	2	<b>541-404-0221</b>	Planetary gear	FR 3.78/3.79/4.11/4.92/5.63/6.20/7.77/9.32
2	2	<b>535-261-2310</b>	Ring gear	i=3.214, z62
3	2	<b>91720-22501</b>	Retainer ring	D225x3
4	2	<b>535-271-0911</b>	Ring gear hub	i=3.214, z62
5	N/A	<b>543-416-0710</b>	Spacer ring	Obsolete
6	2	<b>143-418-0510</b>	Lock plate	S=6 mm, punched
7	2	<b>599-290-8004</b>	Lock Nut	M90x2, s=16 mm
8	2	<b>590319-08186</b>	Allen Screw	M8x18, Cone head
9	2	<b>590319-08126</b>	Allen Screw	M8x12M8x12, Cone head
10	NLA	<b>590731-09510</b>	Shim	s= 0.1 mm
10	NLA	<b>590731-09515</b>	Shim	s= 0.15 mm
11	ar	<b>590731-09520</b>	Shim	s= 0.2 mm
12	ar	<b>590731-09530</b>	Shim	s= 0.3 mm
13	ar	<b>590731-09550</b>	Shim	s= 0.5 mm
14	ar	<b>590732-09510</b>	Shim	s= 1.0 mm
15	2	<b>543-416-0500</b>	Spacer ring	D95/117x42
16	2	<b>090-721-8500</b>	Protective cup	D60/85x10
17	2	<b>535-211-1500</b>	Sun gear	i=3.214, z28, spline N55x26
18	2	<b>91720-26001</b>	Retainer ring	D265x4.2
19	2	<b>591711-05500</b>	Retainer ring	D55x2



Item	Qty.	Order no.	Description	Note
1	1	<b>541-441-1600</b>	Planet carrier	i=3.636, c.d.=75
2	1	<b>535-259-0311</b>	Lock plate	D126/184x4
3	5	<b>535-251-1710</b>	Planet gear shaft	i=3.636, D34.75/35
4	5	<b>090-353-5000</b>	Spacer ring	D35/44x6.2
5	260	<b>090-005-0530</b>	Needle roller	D4.762x28.5
6	5	<b>535-241-1510</b>	Planet gear	Z17, D44.3/75
7	10	<b>590-353-1400</b>	Thrust washer	D34.9x1.5
8	1	<b>141-581-0001</b>	Counter Piece	D15/20x17
9	10	<b>90303-10203</b>	Hex Screw	M10 x 20 - DIN 933 - 8.8



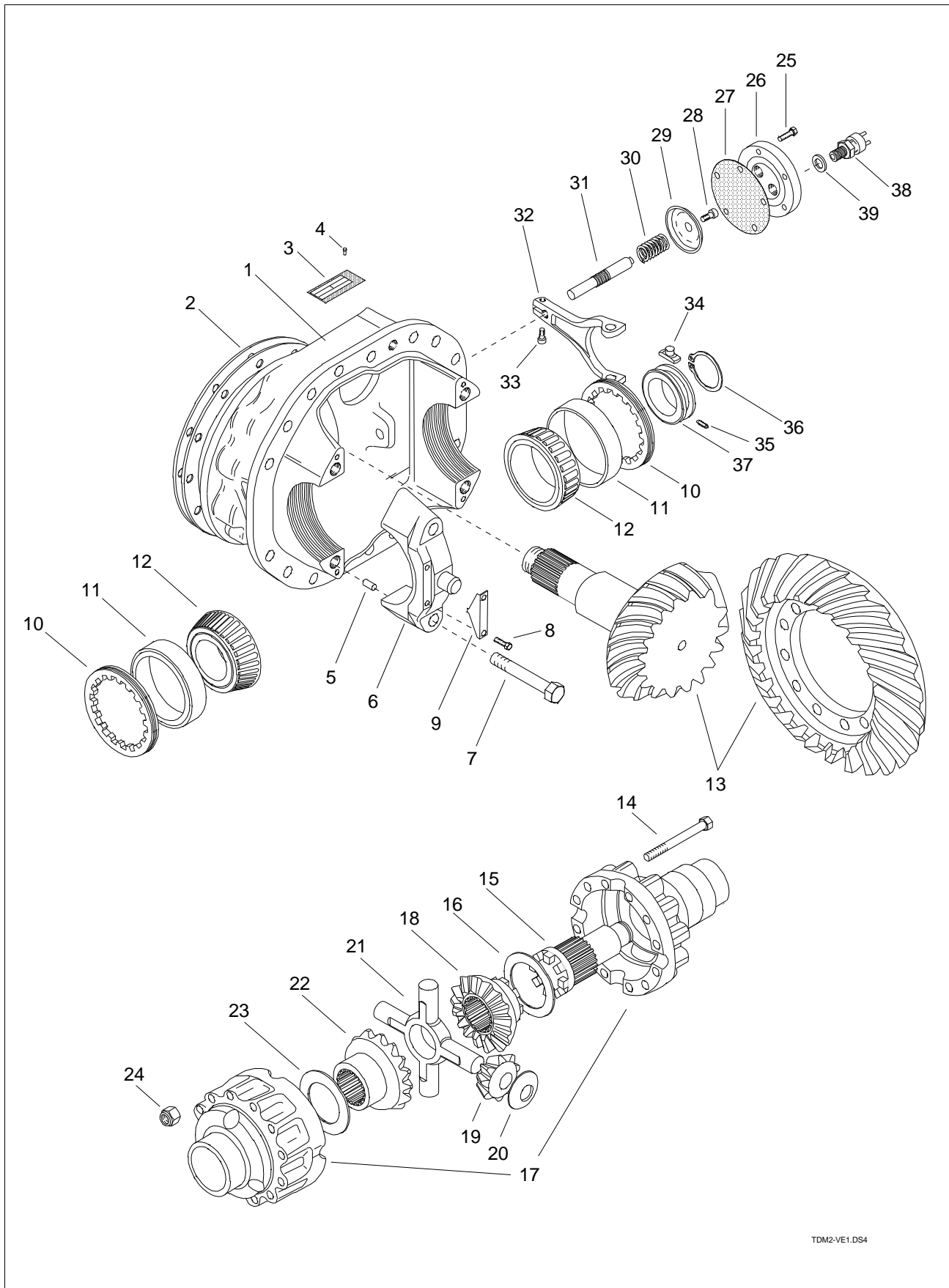
Item	Qty.	Order no.	Description	Note
1	1	<b>541-441-1610</b>	Planet carrier	i=3.214, c.d.=80
2	1	<b>535-259-0311</b>	Lock plate	D126/184x4
3	5	<b>535-251-1700</b>	Planet gear shaft	i=3.214, D30.2/35
4	5	<b>590-354-3300</b>	Spacer ring	D30.35/38.5x6.2
5	230	<b>090-005-0530</b>	Needle roller	D4.762x28.5
6	5	<b>535-241-1600</b>	Planet gear	Z17, D39.75/69
7	10	<b>590-353-1410</b>	Thrust washer	D30.4x1.5
8	1	<b>141-581-0001</b>	Counter Piece	D15/20x17
9	10	<b>90303-10203</b>	Hex Screw	M10 x 20 - DIN 933 - 8.8



M306-096.DS4

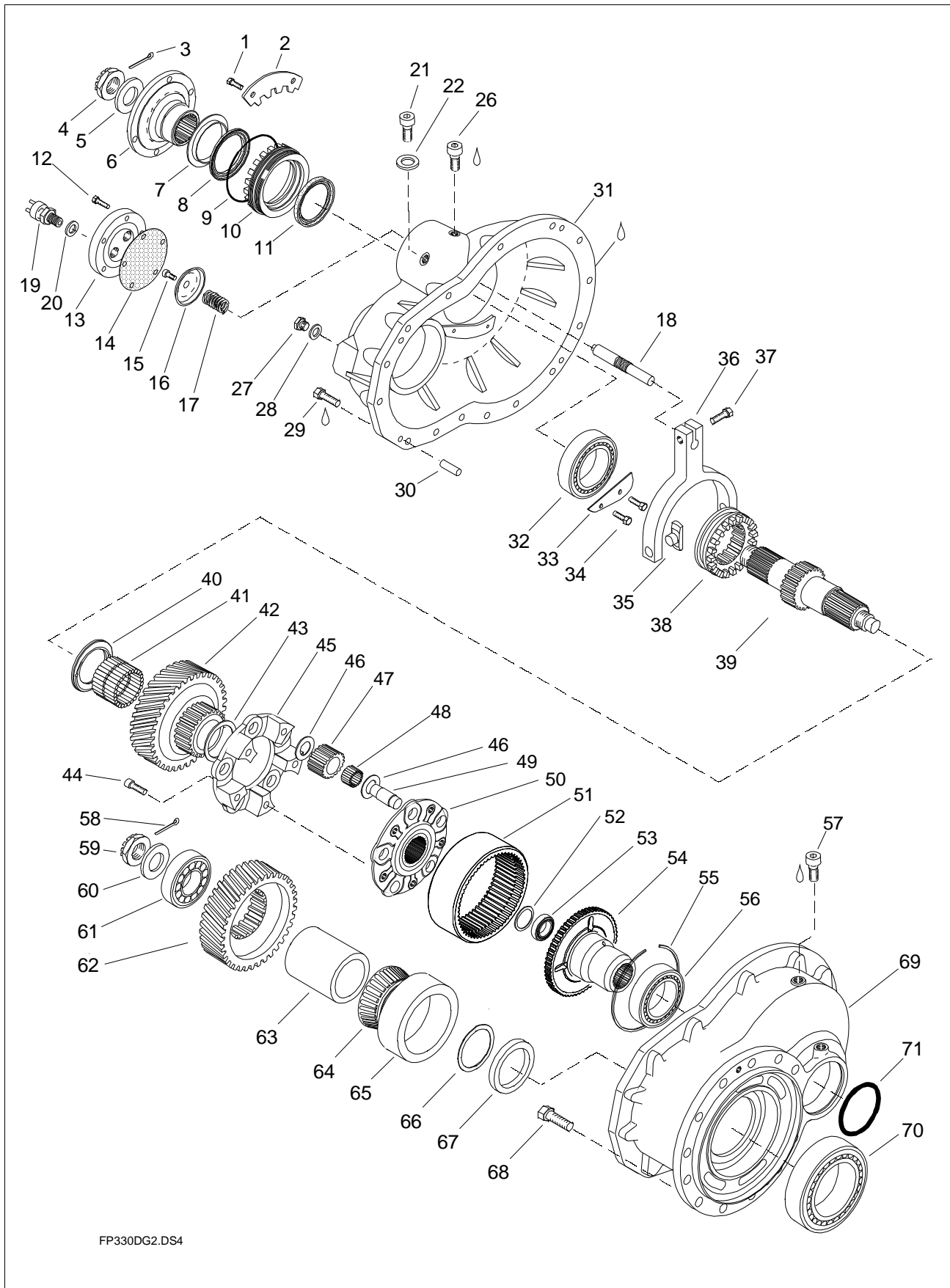


Item	Qty.	Order no.	Description	Note
1	1	<b>543-512-0201</b>	Axle Shaft	LH, L=1085, Track 1800 & 1880
1	1	<b>543-512-0202</b>	Axle Shaft	RH, L=1130, Track 1800
1	1	<b>543-512-0203</b>	Axle Shaft	RH, L=1170, Track 1880
1	1	<b>543-512-0203</b>	Axle Shaft	LH, L=1170, Track 2040
1	1	<b>543-512-0204</b>	Axle Shaft	RH, L=1280, Track 2040
2	2	<b>140-125-0100</b>	Thrust pin	D25

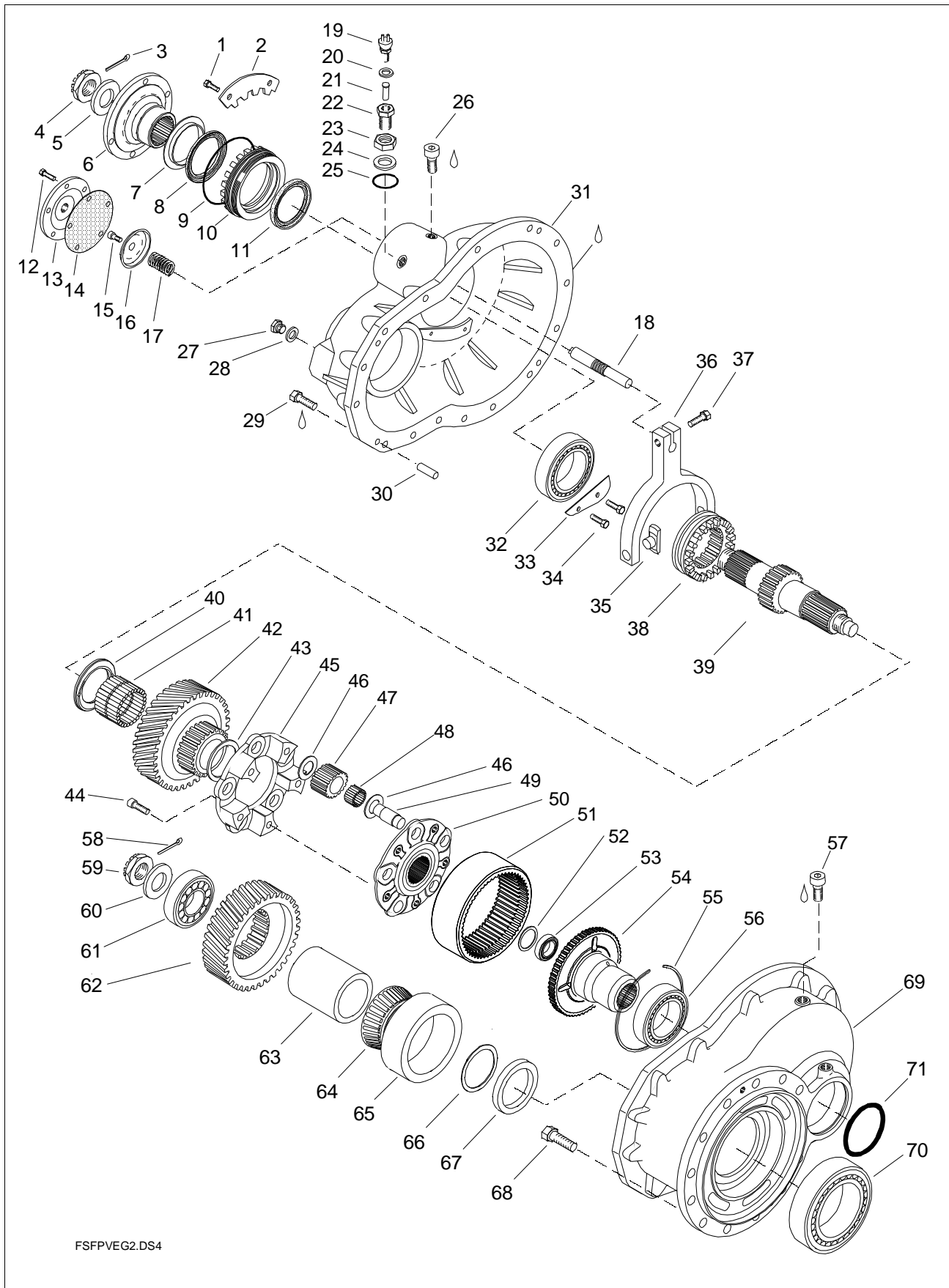


TDM2-VE1.DS4

Item	Qty.	Order no.	Description	Note
1	1	144-210-1911	Differential Carrier	Inc. Bearing Case Halfs
2	ar	144-239-2000	Shim	(1.0 mm)
2	ar	144-239-2001	Shim	(0.5 mm)
2	ar	144-239-2002	Shim	(0.2 mm)
2	ar	144-239-2003	Shim	(0.1 mm)
3	1	591600-20823	Name plate	
4	4	90111-29054	Rivet	D2.9x5
5	4	590604-08141	Pin	Ø8x14
6	2	143-214-2180	Bearing Case Half	Not Serviced Separately
7	4	90301-20377	Hex Screw	M20x130
8	4	90303-08103	Hex Screw	M8x10
9	2	143-227-0610	Lock plate	
10	2	143-226-0012	Adjusting nut	D149
11	2	090-121-4700	Bearing outer race	
12	2	090-110-9000	Bearing inner race	
13	1	543-240-3419	Ring and pinion gear set	14/27, FR 7.01
13	1	543-240-3421	Ring and pinion gear set	17/26, Final Ratio 5.56
13	1	543-240-3429	Ring and pinion gear set	16/28, FR 6.36
13	1	543-240-3451	Ring and pinion gear set	12/29, FR 8.79
13	1	543-240-3481	Ring and pinion gear set	10/29, FR 10.55
13	1	543-240-6411	Ring and pinion gear set	25/32, FR 4.65 and lower
14	12	90321-16538	Hex Screw	M16x1.5
15	1	144-341-1700	Sliding Gear	
16	1	090-359-7000	Thrust washer	D97/127x3
17	1	143-310-3811	Diff. case assy	
18	1	543-351-4310	Side gear	D55/Z26
19	4	143-341-0700	Pinion gear	
20	4	143-345-0400	Thrust washer	D29/65x1.5
21	1	143-331-0603	Spider	
22	1	543-351-4210	Side gear	D55/Z26
23	1	090-357-5000	Thrust washer	D75/111x3
24	12	90556-16247	Nut	M16x1.5
25	5	90303-08203	Hex Screw	M8x20
26	1	572-161-1502	Membrane cover	For Signal Lamp Switch
27	1	172-351-1202	Membrane	
28	1	90319-08206	Screw	M8x20
29	1	172-361-0410	Push plate	D70x12
30	1	097-122-0100	Return spring	D29.5x43
31	1	172-212-1710	Sliding Shaft	D16/20x125
32	1	144-751-1210	Control fork	
33	1	90313-06208	Allen Screw	M6x20
34	2	133-348-0710	Sliding shoe	
35	1	90335-05108	Stopping screw	M5x10
36	1	91711-06500	Retainer ring	D65
37	1	144-348-0000	Sliding ring	
38	1	586-490-0381	Signal Lamp Switch	M18x1.5, connection M27x1.5
38	1	586-490-0481	Signal Lamp Switch	M18x1.5, connection DIN72585 bayonet
39	1	91201-18150	Seal ring	D18/22x1.5 Cu

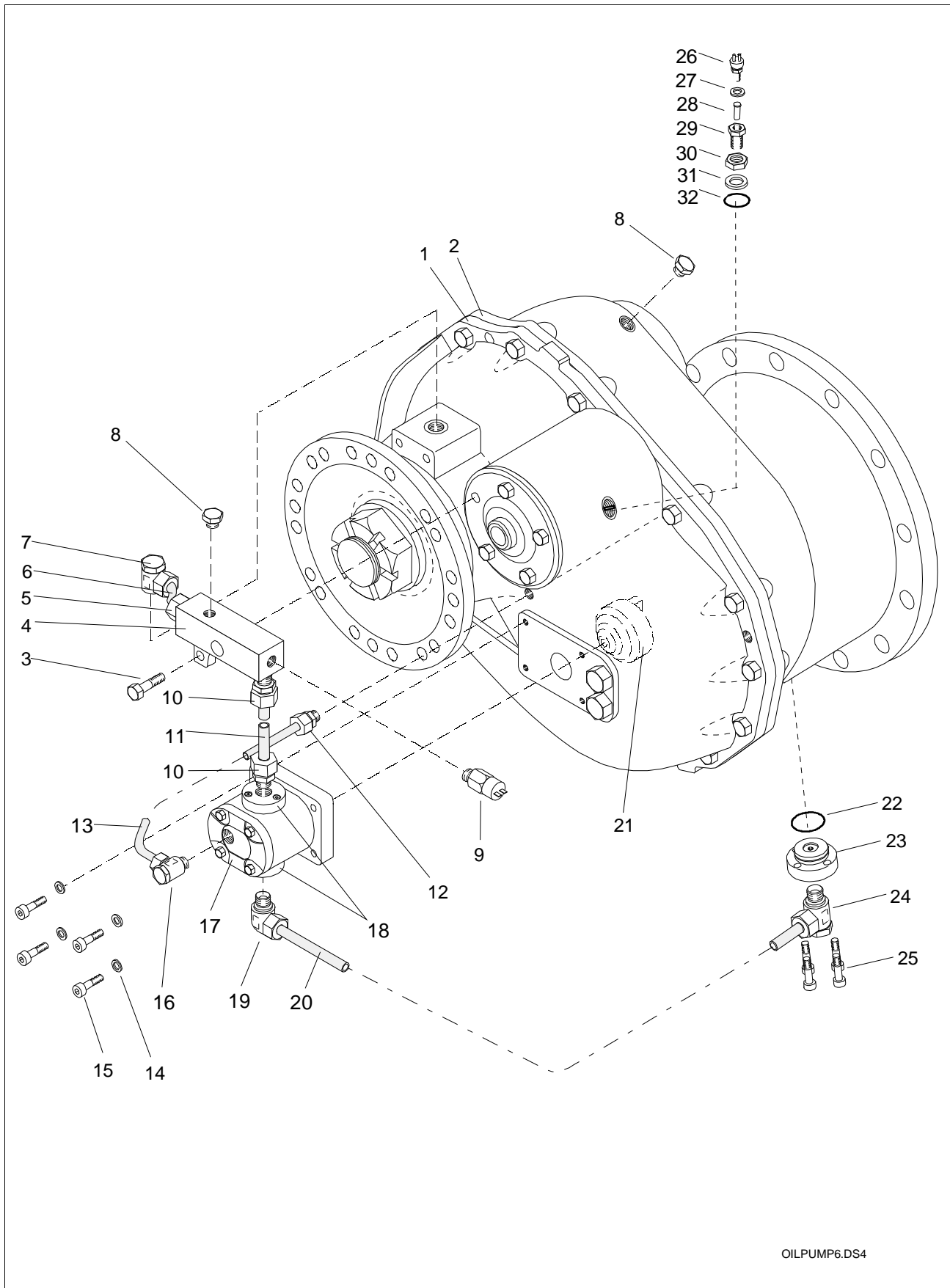


Item	Qty.	Order no.	Description	Note
1	2	90303-08203	Hex Screw	M8x20
2	1	143-227-0710	Lock plate	
3	1	90621-63633	Split pin	D6.3x63
4	1	90546-42653	Nut	M42x1.5
5	1	90705-43069	washer	D43/80x6
6	1	538-918-0511	Flange	ISO 8667 - T180
6	1	538-918-0900	Flange	HS 1700/1800
7	0	0		Not installed
8	1	591122-08507	Shaft seal	Cassette seal D85/120x9/20
9	1	91101-39530	O-ring	D139.5x3
10	1	543-226-1400	Adjusting nut	For cassette seal
11	0	0		Not installed
12	5	90303-08203	Hex Screw	M8x20
13	1	172-161-0701	Membrane cover	Only w/pressure lubrication
13	1	572-161-1502	Membrane cover	Standard, w/signal lamp switch thread
14	1	172-351-1202	Membrane	
15	1	90319-08206	Screw	M8x20
16	1	172-361-0410	Push plate	D70x12
17	1	097-122-0100	Return spring	D29.5x43
18	1	172-212-1710	Sliding Shaft	D16/20x125
19	1	586-490-0381	Signal Lamp Switch	M18x1.5, connection M27x1.5
19	1	586-490-0481	Signal Lamp Switch	M18x1.5, connection DIN72585 bayonet
20	1	91201-18150	Seal ring	D18/22x1.5 Cu
21	1	90871-18173	Plug screw	M18x1.5
22	1	91201-18150	Seal ring	D18/22x1.5 Cu
26	1	90873-10053	Plug screw	M10x1, Allen head
27	2	90871-22193	Plug screw	M22x1.5, hex head
28	2	91201-22150	Seal ring	D22/27x1.5 Cu
29	16	90303-12308	Hex Screw	M12x30
30	2	90604-10201	Cotter Pin	D10x20
31	1	544-221-0700	Diff. Carrier Cover	w/o pressure lubrication
32	1	91744-00704	T. Roller bearing	
33	1	546-167-1101	Oil Plate	
34	2	90303-08203	Hex Screw	M8x20
35	2	133-348-1701	Sliding shoe	
36	1	144-751-1300	Control fork	
37	1	90313-08208	Allen Screw	M8x20
38	1	544-274-0800	Sliding Ring	Ret. angle 0 deg., up to S/N 154399 (10/2005)
38	1	544-274-0910	Sliding Ring	Ret. angle 6 deg., since S/N 154400 (10/2005)
39	1	544-251-3600	Intermediate Shaft	
40	1	544-282-0100	Spacer ring	D75/99x6.5
41	1	591738-40751	Needle bush	D75/83x40
42	1	544-269-0910	Gear assembly	FR 4,65 and up, dog teeth ret. angle 0 deg.
42	1	544-269-1310	Gear assembly	FR 4,28, dog teeth ret. angle 0 deg.
42	1	544-269-1900	Gear assembly	FR 4,65 and up, dog teeth ret. angle 6 deg.
42	1	544-269-1910	Gear assembly	FR 4,28, dog teeth ret. angle 6 deg.
42	1	544-269-2000	Gear assembly	FR 4.11 (z34, ratio 1:0.882) ret. angle 6 deg.
43	1	544-282-0210	Spacer ring	D67.5/85x4
44	5	90311-16508	Allen Screw	M16x50
45	1	535-231-1400	Planet carrier	
46	10	590-354-3210	Spacer ring	D32/54x1.47
47	5	535-241-1400	Planet gear	
48	5	591738-40321	Needle bush	
49	5	535-251-1500	Planet gear shaft	
50	1	541-441-1300	Planet carrier	



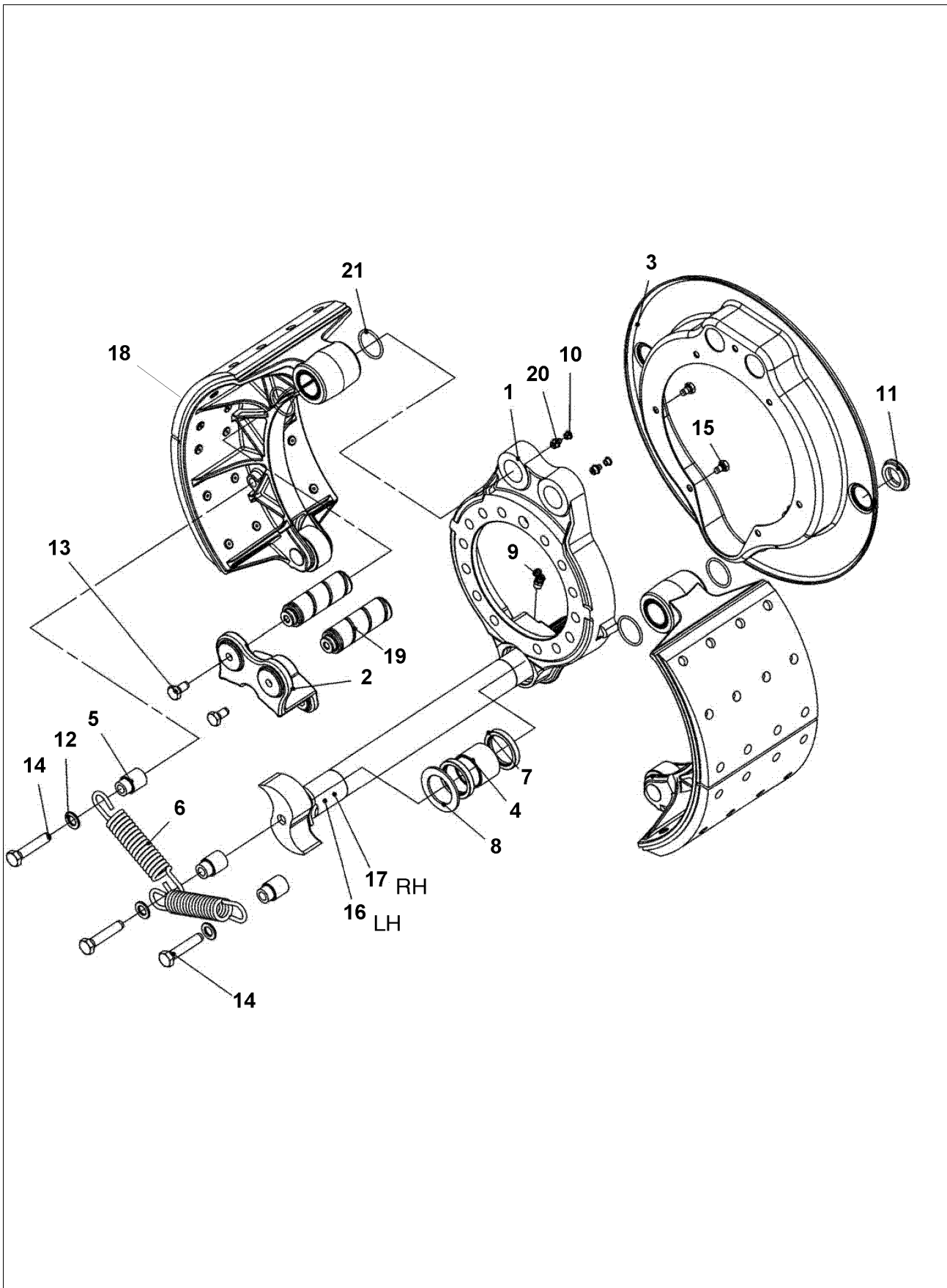
FSFPVEG2.DS4

Item	Qty.	Order no.	Description	Note
51	1	<b>535-261-2200</b>	Ring gear	
52	ar	<b>90731-03510</b>	Shim	(0.1 mm)
52	ar	<b>90731-03520</b>	Shim	(0.2 mm)
52	ar	<b>90731-03550</b>	Shim	(0.5 mm)
52	ar	<b>90732-03510</b>	Shim	(1.0 mm)
53	1	<b>591744-00352</b>	T. Roller bearing	
54	1	<b>535-271-0700</b>	Ring gear hub	
55	1	<b>591720-25001</b>	Retainer ring	
56	1	<b>91744-00951</b>	T. Roller bearing	
57	1	<b>90873-10053</b>	Plug screw	
58	1	<b>90621-63633</b>	Split pin	
59	1	<b>90546-42653</b>	Nut	
60	1	<b>90705-43069</b>	washer	
61	1	<b>591736-30553</b>	Roller bearing	
62	1	<b>544-261-2200</b>	Gear	FR 4.65 and over (z28, ratio 1:1)
62	1	<b>544-261-3300</b>	Gear	FR 4.28 (z34, ratio 1:0.919)
63	1	<b>543-261-1200</b>	Spacer ring	
64	1	<b>090-110-6740</b>	Bearing inner race	
65	1	<b>090-121-3700</b>	Bearing outer race	
66	ar	<b>099-516-7000</b>	Shim	(0.1 mm)
66	ar	<b>099-516-7001</b>	Shim	(0.3 mm)
66	ar	<b>099-516-7002</b>	Shim	(0.5 mm)
66	ar	<b>099-516-7003</b>	Shim	(0.25 mm)
67	ar	<b>599-557-1050</b>	Spacer ring	L=18.40
67	ar	<b>599-557-1052</b>	Spacer ring	L=18.44
67	ar	<b>599-557-1054</b>	Spacer ring	L=18.48
68	12	<b>90303-16407</b>	Hex Screw	
69	1	<b>544-211-1600</b>	Diff. Carrier Housing	w/o pressure lubrication
70	1	<b>91744-00681</b>	T. Roller bearing	
71	1	<b>591106-99532</b>	O-ring	

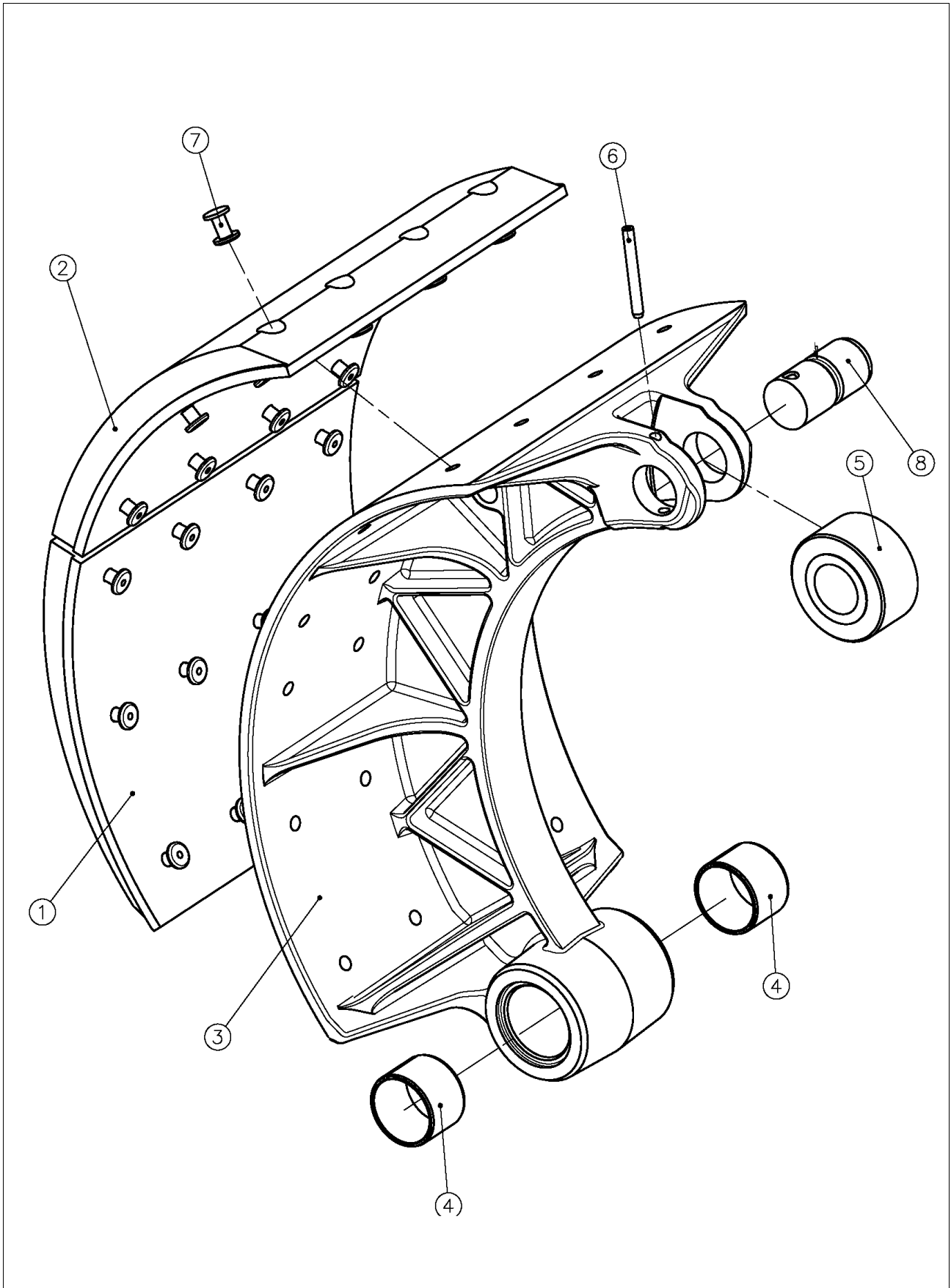




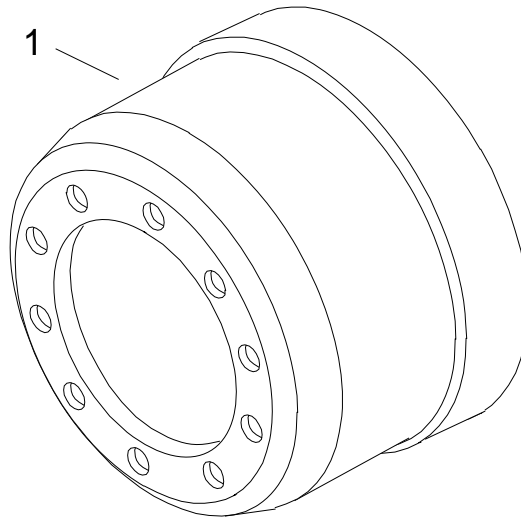
Item	Qty.	Order no.	Description	Note
1	1	<b>544-221-0710</b>	Diff. Carrier Cover	With oil pump
2	1	<b>544-211-1610</b>	Diff. Carrier Housing	With oil pump
3	1	<b>90303-08303</b>	Hex Screw	With oil pump
4	1	<b>544-371-0000</b>	By-pass manifold	
5	1	<b>591951-61014</b>	Fitting	M14x1.5, 10 mm
6	1	<b>579-615-0100</b>	Pipe	Dia 10 mm
7	1	<b>591952-31008</b>	Fitting	R1/4", 10 mm
8	2	<b>90871-10143</b>	Plug screw	M10x1, hex head 14 mm
9	1	<b>586-340-0001</b>	Pressure switch	
9	1	<b>91201-14150</b>	Seal ring	Cu 14x1.5
10	2	<b>591874-01012</b>	Fitting	10-6C40MXS, Optional for hose connection
10	2	<b>591951-51212</b>	Fitting	R3/8", 12 mm
11	1	<b>579-615-0810</b>	Pipe	Dia 12 mm
12	1	<b>91950-11010</b>	Pipe joint	M10x1, 6 mm
13	1	<b>579-615-0800</b>	Pipe	Dia 6 mm
14	4	<b>90705-06423</b>	washer	
15	4	<b>90313-06208</b>	Allen Screw	M6x20
16	1	<b>591952-10604</b>	Fitting	R1/8", 6 mm
17	1	<b>573-010-0001</b>	Pump unit	
18	2	<b>573-190-0001</b>	Spacer flange	incl. screws
19	1	<b>591952-11538</b>	Fitting	R3/8", 15 mm
20	1	<b>579-615-1000</b>	Pipe	Dia 15 mm
21	1	<b>544-361-0000</b>	Shaft coupling	
22	1	<b>591100-37020</b>	O-ring	37x2
23	1	<b>544-741-0010</b>	Flange	
24	1	<b>591952-31512</b>	Fitting	R1/2", 15 mm
25	4	<b>90313-06208</b>	Allen Screw	M6x20
26	1	<b>186-490-0281</b>	Signal Lamp Switch	M12x1.5
27	1	<b>91201-12150</b>	Seal ring	D12/18x1.5
28	1	<b>141-812-0100</b>	Control pin	
29	1	<b>141-812-0000</b>	Binding screw	M12x1.5/M18x1.5
30	1	<b>91842-18243</b>	Lock Nut	M18x1.5
31	1	<b>91838-18010</b>	Pressure ring	Ms DR/R 18x23
32	1	<b>91838-18100</b>	O-ring	Ø16x2.5



Item	Qty.	Order no.	Description	Note
1	2	<b>146-111-2610</b>	Brake Bracket	
2	2	<b>146-331-0400</b>	Anchor support	
3	2	<b>146-131-2210</b>	Dust Shield	210 mm
4	2	<b>590-314-2062</b>	Sleeve	D42/48x36
5	6	<b>599-601-8900</b>	Bush	D12/20/25x36
6	4	<b>92052-30002</b>	Return spring	D30x165.5
7	4	<b>91122-04201</b>	Shaft seal	D42/55x8
8	2	<b>91726-43065</b>	Support ring	D43/65x3
9	2	<b>91402-10453</b>	Grease nipple	M10x1, 45°
10	6	<b>91421-06060</b>	Shield hat	
11	4	<b>095-553-2000</b>	Shield plug	D33/44
12	6	<b>90705-13023</b>	washer	D13/24x2.5
13	4	<b>90303-10203</b>	Hex Screw	M10 x 20 - DIN 933 - 8.8
14	6	<b>90303-12603</b>	Hex Screw	M12x60
15	14	<b>90303-08123</b>	Hex Screw	M8x12
16	1	<b>146-213-0400</b>	S-cam shaft	RH, L=550, 1800 mm Track
16	1	<b>146-213-0600</b>	S-cam shaft	RH, L=590, 1880 mm Track
16	1	<b>146-213-0800</b>	S-cam shaft	RH, L=670, 2040 mm Track
17	1	<b>146-213-0500</b>	S-cam shaft	LH, L=550, 1800 mm Track
17	1	<b>146-213-0700</b>	S-cam shaft	LH, L=590, 1880 mm Track
17	1	<b>146-213-0900</b>	S-cam shaft	LH, L=670, 2040 mm Track
18	4	<b>546-306-0083</b>	Brake shoe assy	210mm, Beral1561
19	4	<b>146-341-1200</b>	Anchor bolt	With grease nipple
20	4	<b>91402-10003</b>	Grease nipple	M10x1, Straight
21	8	<b>91106-36212</b>	O-ring	D36,2x3 Viton

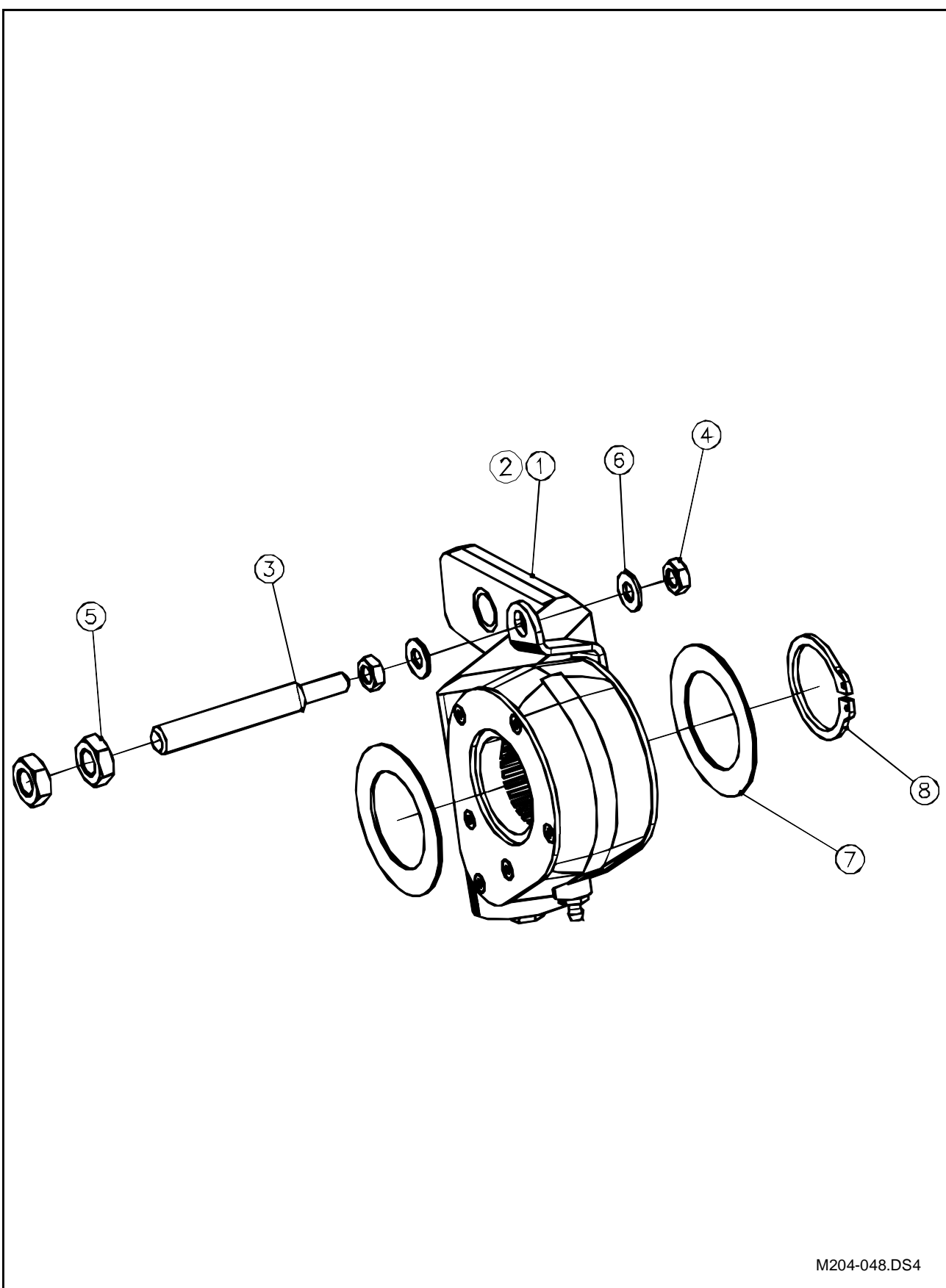


Item	Qty.	Order no.	Description	Note
1,2	ar	<b>546-360-3113</b>	Brake lining set	210mm, Beral1561, for one wheel
3	1	<b>146-351-4100</b>	Brake shoe	210 mm, o-ring sealing
4	2	<b>590-313-2091</b>	Sleeve	D32/36x25
5	1	<b>146-371-0700</b>	Roller	D25/54x28
6	1	<b>90602-05450</b>	Spring cotter	D5x40
7	24	<b>91501-00819</b>	Rivet	Included in lining set (pos1,2)
8	1	<b>146-373-0201</b>	Pin	D25x50



M203-036.DS4

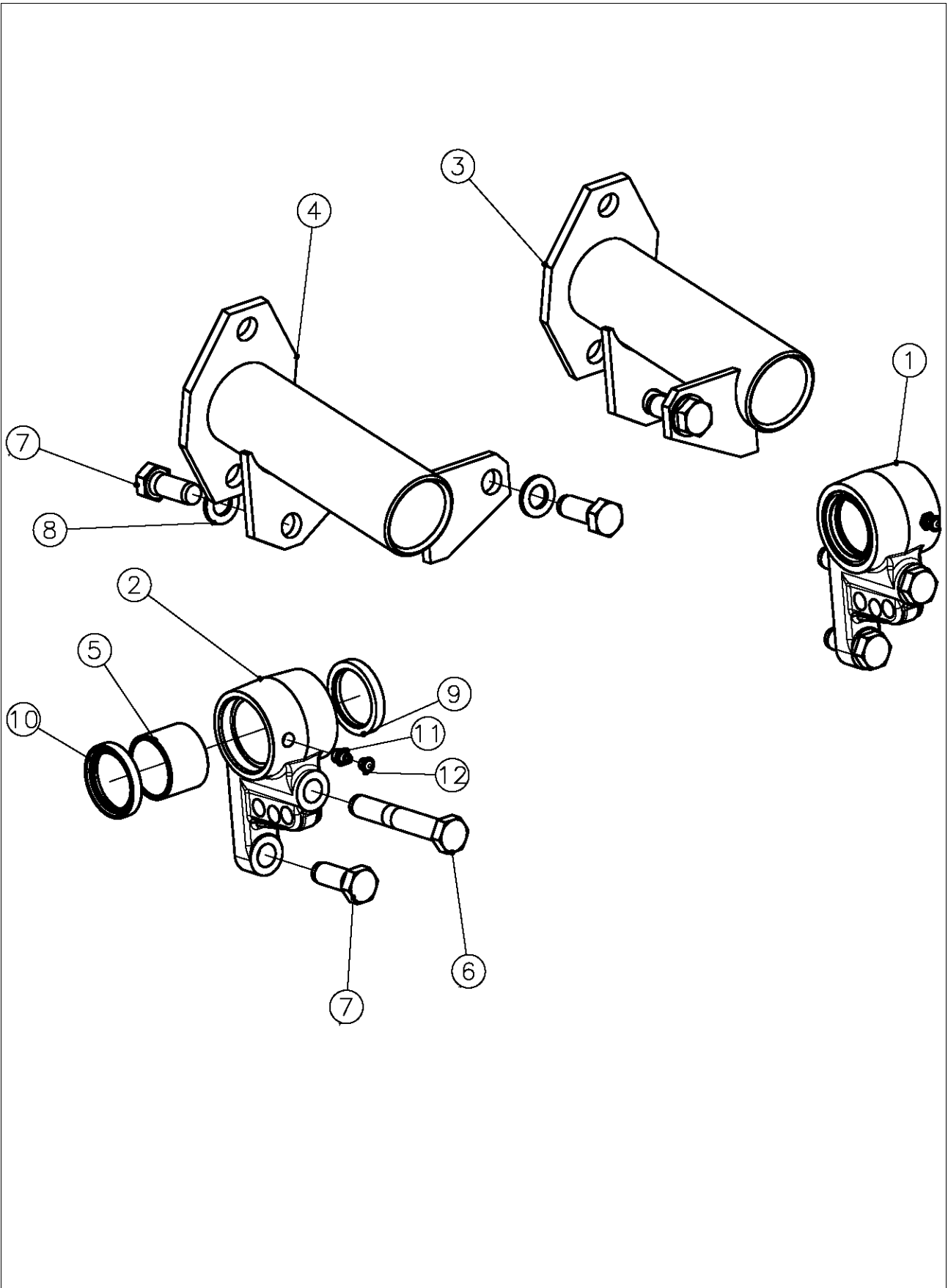
Item	Qty.	Order no.	Description	Note
0	0	0		
1	2	146-311-7910	Brake drum	



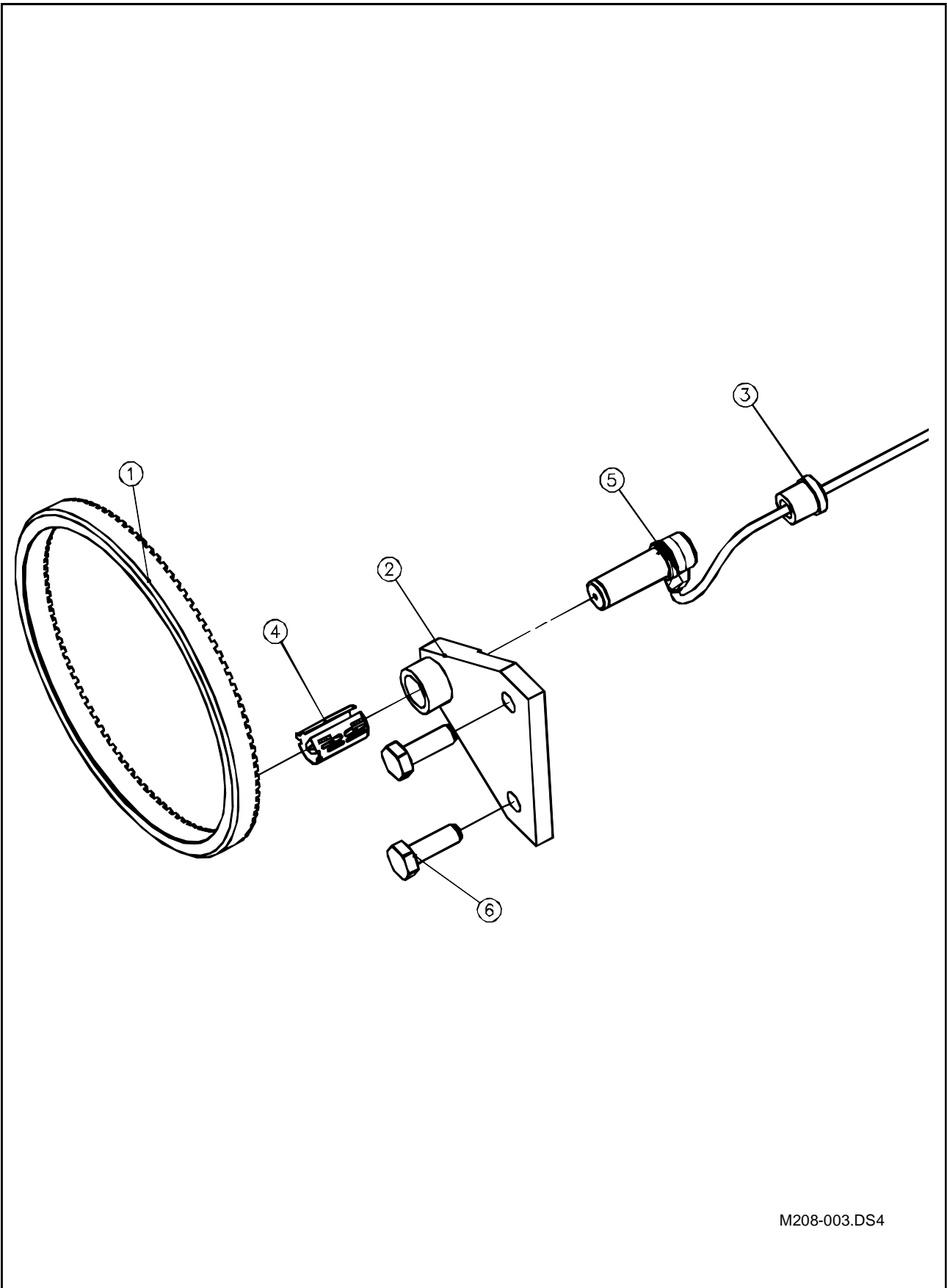
M204-048.DS4



Item	Qty.	Order no.	Description	Note
1	1	<b>546-530-3112</b>	Slack adjuster	RH, 165 mm, offset 60
2	1	<b>546-530-3122</b>	Slack adjuster	LH, 165 mm, offset 60
3	2	<b>90177-01203</b>	Stud bolt	M12/M8, L=94
4	4	<b>90502-08133</b>	Nut	M8
5	4	<b>90502-12193</b>	Nut	M12
6	4	<b>90705-08423</b>	washer	D8.4/17x1.6
7	4	<b>090-354-3030</b>	Spacer plate	D43/66x1.5
8	2	<b>91712-04000</b>	Retainer ring	D40x2.5

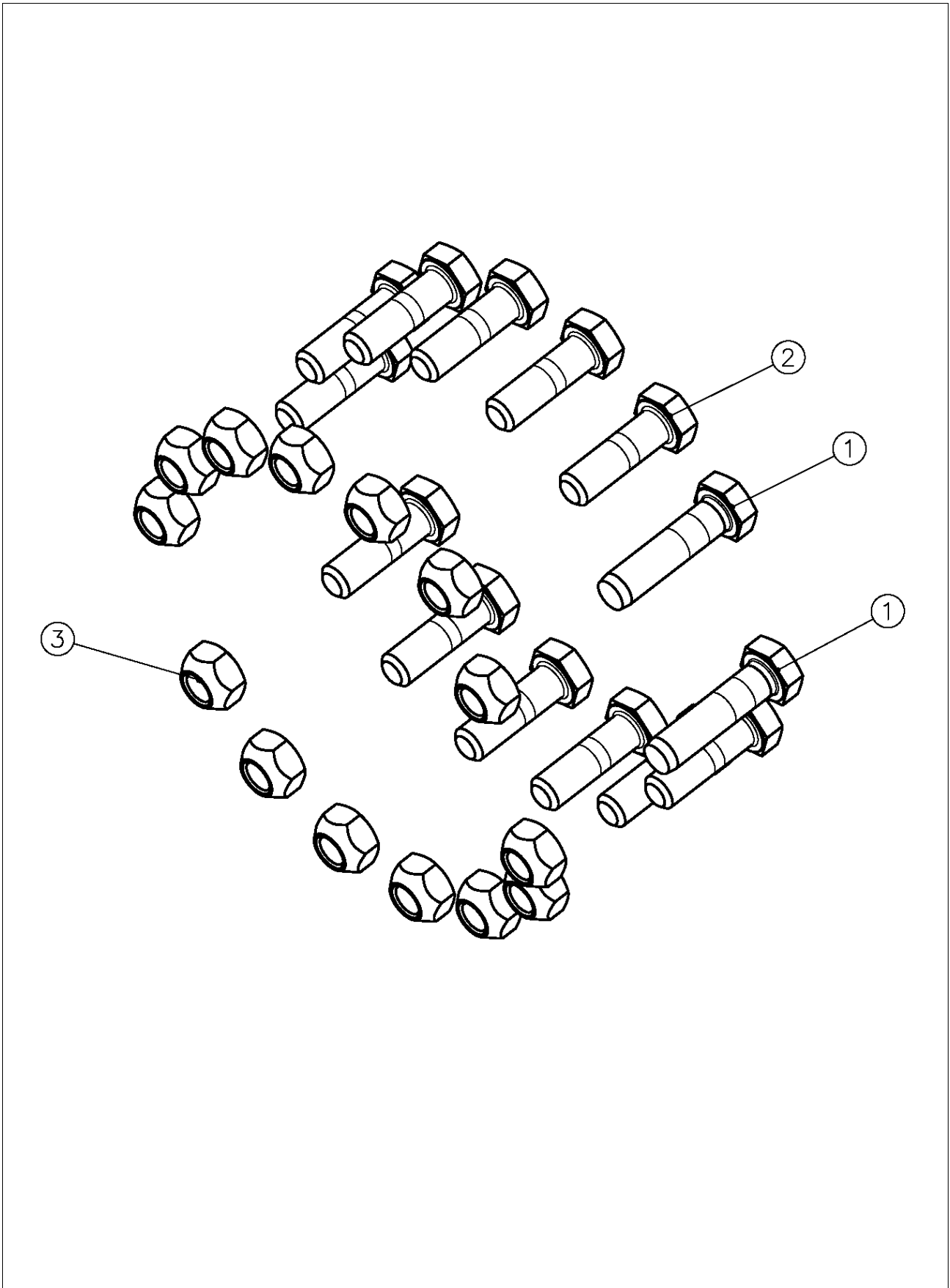


Item	Qty.	Order no.	Description	Note
1	1	<b>146-224-2310</b>	Bearing housing	RH
2	1	<b>146-224-2400</b>	Bearing housing	LH
3	1	<b>546-721-6500</b>	Chamber bracket	RH, 17 deg. for 165 mm slack adjuster
4	1	<b>546-721-6510</b>	Chamber bracket	LH, 17 deg. for 165 mm slack adjuster
5	2	<b>590-314-2062</b>	Sleeve	D42/48x36
6	2	<b>90301-16117</b>	Hex Screw	M16x100, 10.9
7	6	<b>90303-16407</b>	Hex Screw	M16x40, 10.9
8	4	<b>90705-17033</b>	washer	
9	2	<b>91122-04201</b>	Shaft seal	D42/55x8
10	2	<b>91122-04202</b>	Shaft seal	D42/55x7
10	2	<b>91720-05500</b>	Retainer ring	D55x1.5, since S/N 164224 (9/2006)
11	2	<b>91402-10003</b>	Grease nipple	M10x1, Straight
12	2	<b>91421-06060</b>	Shield hat	



M208-003.DS4

Item	Qty.	Order no.	Description	Note
1	2	<b>189-291-0000</b>	Ring gear	ABS, 100 Splines
2	2	<b>189-931-0900</b>	Bracket	
3	2	<b>592235-17101</b>	Rubber bushing	D10/17, for Knorr sensor
4	2	<b>189-295-0000</b>	Bush	Wabco 899 760 510
5	2	<b>589-250-0081</b>	Sensor	Knorr, protected wire
6	4	<b>90303-10303</b>	Hex Screw	M10x30



Item	Qty.	Order no.	Description	Note
1	4	<b>90301-14558</b>	Hex Screw	M14x55
2	24	<b>90169-01401</b>	Hex Screw	M14x45
3	28	<b>90550-14227</b>	Nut	M14 self locking