

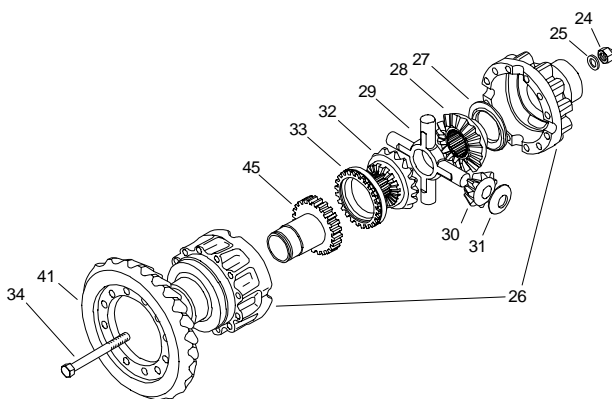
### CHANGE IN THE DIFFERENTIALS IN THE 13/16 TON RIGID DRIVE AXLES

**1. Change:** The axle shaft splines in the new (approx 2005 onwards) 13/16 ton rigid drive axles have changed causing also that the splines in the differential side gears have changed simultaneously. In the through drive differential carrier assemblies MP-330 (in fore most tandem axles FRMP-13/16-S) and FP330 (in tridem axles FRFP-13/16-S) only the side gear splines have been changed. In differential carrier assembly DP-330 (in the rearmost tandem/tridem axles FRDP-13/16-S) also the design of differential have been changed to be now almost similar than in the through drive differentials.

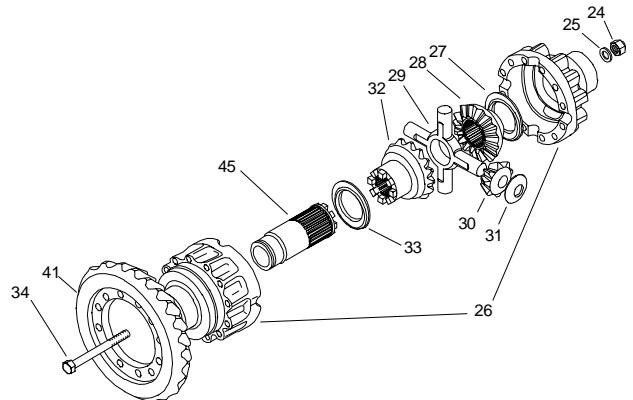
**2. Changed Items in DP-330 Differential Carrier Assy:**

(See picture 1. for the earlier version and picture 2. for the later version.)

|      |                 | Up to S/N 144392 | Since S/N 144393 |
|------|-----------------|------------------|------------------|
| Pos. | Description     | Old Part No.     | New Part No.     |
| 25   | Washer          | 099-601-8110     | -                |
| 26   | Diff. Case Assy | 143-310-2711     | 543-310-4811     |
| 28   | Side Gear       | 143-351-0900     | 543-351-4210     |
| 32   | Side Gear       | 143-351-1410     | 543-351-4310     |
| 33   | Thrust Washer   | 143-357-0000     | 090-359-7000     |
| 34   | Hex Screw       | 099-116-3230     | 599-116-3250     |
| 45   | Sliding Gear    | 144-341-0900     | 144-341-1700     |



Picture 1. Earlier design up to S/N 144392



Picture 2. Later design since S/N 144393

**3. Changed Items in Through Drive Differential Carrier Assemblies MP-330 & FP-330:**

(Only the side gears (pos 28 & 32) have been changed compared to the earlier design.)

|      |             | Up to S/N 144392 | Since S/N 144393 |
|------|-------------|------------------|------------------|
| Pos. | Description | Old Part No.     | New Part No.     |
| 28   | Side Gear   | 143-351-0900     | 543-351-4210     |
| 32   | Side Gear   | 143-351-1410     | 543-351-4310     |

**4. Date of Change and Interchangeability:** Since axle S/N 144393 (November 2004) the differentials are later design. The earlier and later differential carrier assemblies are interchangeable only if the changed parts will be changed simultaneously. See the proper maintenance manuals if conversing the differentials. If possible also the tag plate should be changed when conversing a differential.

**5. Differential Carrier Part Number Conversion Table:****FRMP-13/16-S Axles**

(HS1700/1800 input flange, no oil pump)

| <b>Final Ratio</b> | <b>P/N since S/N 144393 (11/2004)</b> | <b>P/N up to S/N 144392 (11/2004)</b> | <b>Supercedes also below mentioned older diffs w/o cross diff lock indicator switch</b> |
|--------------------|---------------------------------------|---------------------------------------|---|
| 5.56               | 544-304-6321                          | 544-302-4021                          | 544-301-5321  |
| 6.36               | 544-304-6329                          | 544-302-4029                          | 544-301-5329  |
| 7.01               | 544-304-6319                          | 544-302-4019                          | 544-301-5319  |
| 8.79               | 544-304-6351                          | 544-302-4051                          | 544-301-5351  |

**FRDP-13/16-S Axles**

(HS1700/1800 input flange)

| <b>Final Ratio</b> | <b>P/N since 144393 (11/2004)</b> | <b>P/N up to S/N 144392 (11/2004)</b> | <b>Supercedes also below mentioned older diffs w/o cross diff lock indicator switch</b> |
|--------------------|-----------------------------------|---------------------------------------|---|
| 5.56               | 543-204-3221                      | 543-203-4621                          | 143-201-8521  |
| 6.36               | 543-204-3229                      | 543-203-4629                          | 143-201-8529  |
| 7.01               | 543-204-3219                      | 543-203-4619                          | 143-201-8519  |
| 8.79               | 543-204-3251                      | 543-203-4651                          | 143-201-8551  |

**Sisu Axles, Inc.**  
Technical Support  
Autotehtaan tie 1  
PO Box 189  
FIN-13101 Hämeenlinna  
Finland  
Phone +358 204 55 2999  
Fax +358 204 55 2900